

Clean + Clear

**Compact Water Treatment System
for Aquaria up to 5 m³**

Clean + Clear

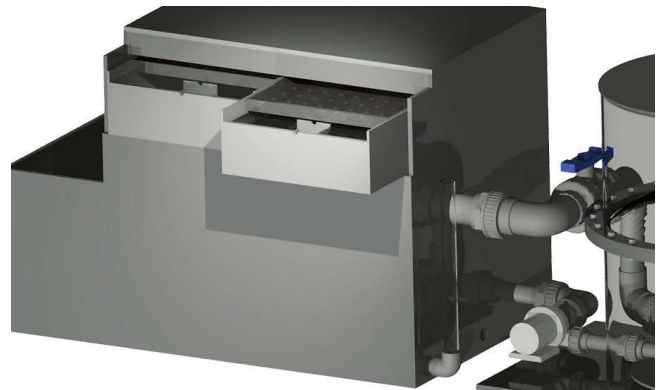
New compact water treatment system special for base cabinet.

Dimensions (L×B×H)

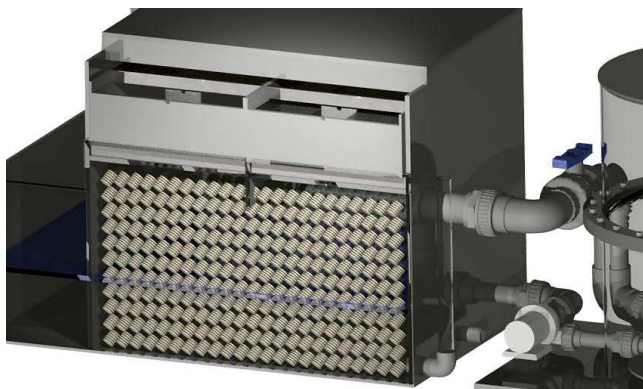
1870×600×680 mm



Compact design with removable filter drawers. Easy to handle. Pre-filter with three mat layers.



With mechanical pre-filter chamber and biological trickling filter. Water distribution plates for pre-filter and trickling filter. Clear water chamber for circulation/feed pump.



Protein skimmer with foam chamber and venturi pump. The operation with ozone is possible.



Erwin Sander Elektroapparatebau GmbH
Am Osterberg 22
31311 Uetze-Eltze
Germany

Phone **+49 (5173) 9 71-0**
Fax **+49 (5173) 9 71-197**
E-Mail **info@aqua-sander.de**
Web **www.aqua-sander.de**

